

# PUSH BUTTON INTERFACE

MODELS:

LXA - 134 - 001

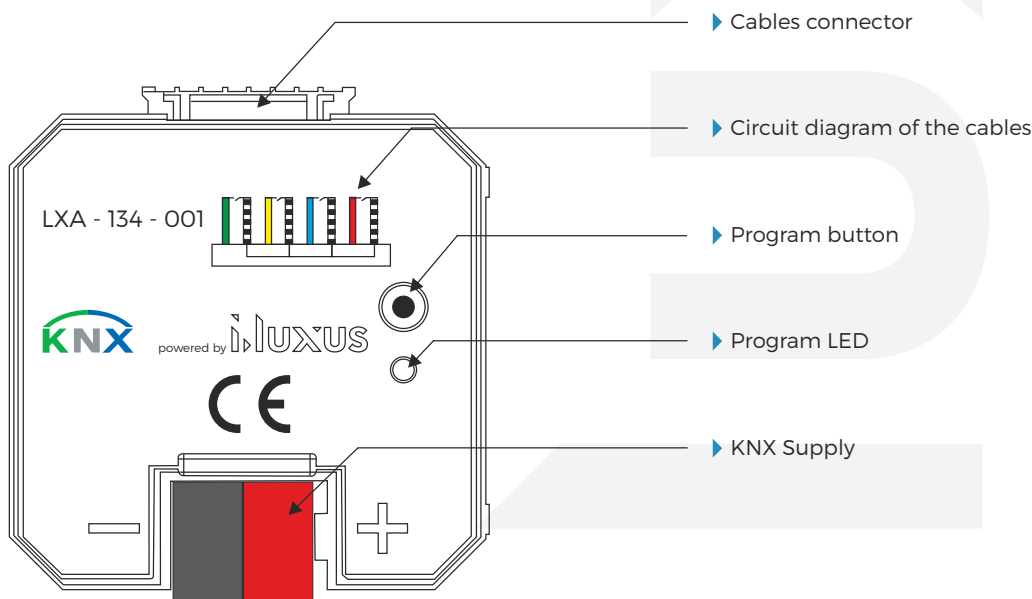
4 Gang PBI

The I-Luxus 4 Gang Push Button Interface designed to be used as an interface between KNX System and conventional switches or push buttons. It fits together behind a switch in a combined wall and joint box. It can be used 1 or 2 buttons shutter/blind or dimming, switch, counter, scene and send value e.g. percent, angle, temperature difference, 2-bit, 8-bit and 16-bit.

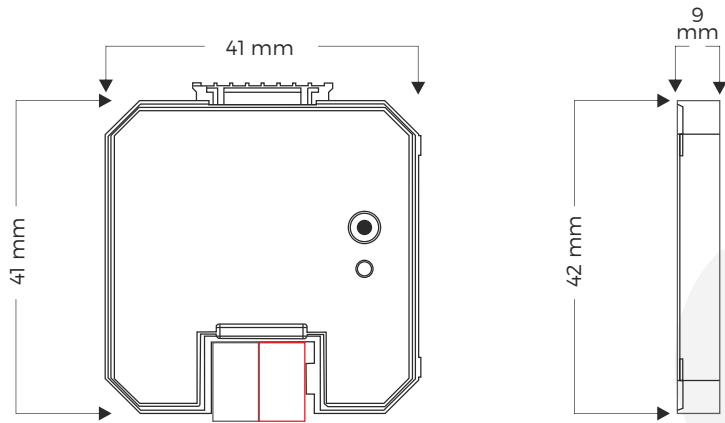
## PRODUCT CHARACTERISTICS

- ▶ 4 functional input channels
- ▶ Easy connection with colorful connection cables
- ▶ Possibility to incorporate dry contact data into the KNX line
- ▶ Switching, scene, counter, send value, shutter/blind and dimming operations
- ▶ Long press operation
- ▶ Normally Open and Normally Close contact types
- ▶ Debounce time selection
- ▶ Easy installation to 60x60 mm universal mounting box
- ▶ Configurable with ETS
- ▶ Programming LED and button
- ▶ Production in Germany, certified according to ISO 9001 and KNX
- ▶ 2 years warranty

## CONNECTION DIAGRAM



## SCALE DRAWINGS



## TECHNICAL DATA

Type of protection	IP 20	EN 60529
Safety class	II	EN 60664
Protection Class	III	IEC 61140
Power Supply	Voltage	KNX Bus System
	Current Consumption	<10mA
Mounting	60x60 mm standart switch junction	
Connection	KNX Bus connection terminal	0,8 mm <sup>2</sup> Ø. solid core
	Inputs	8 Pos. 2.54mm Pin Header
Inputs	Number	4
	Max. Cable lenght	<50m
	Conductor cross section	0,22 mm <sup>2</sup>
	Scanning voltage	3,3 V
	Sensing current	0,1 mA
Operating Elements	Programming LED and button	
Operations	Switch	
	Scene	
	Counter	
	Send value	
	Shutter / Blind	
	Dimming	
Temperature range	Operation	0°C / +45°C
	Storage	-20°C / +70°C
Humidity	Maximum air humidity	85% no moisture condensation
Flammability	Non-flammable product	
Dimensions	L:9mm W:41mm H:41mm	
Weight	22 gr with cables	
Certification	KNX Certified	