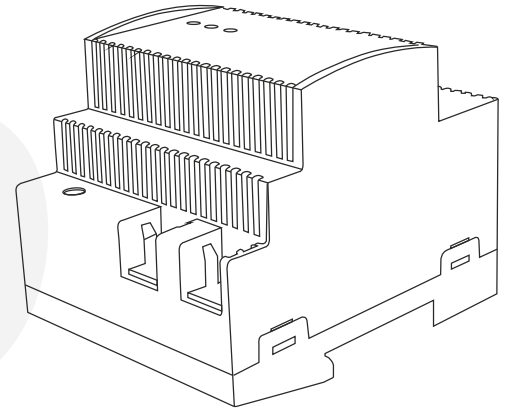


# POWER SUPPLY

MODEL:  
LXA - 164 - 30V

**iLUXUS**  
Intelligent Luxury Building Solutions

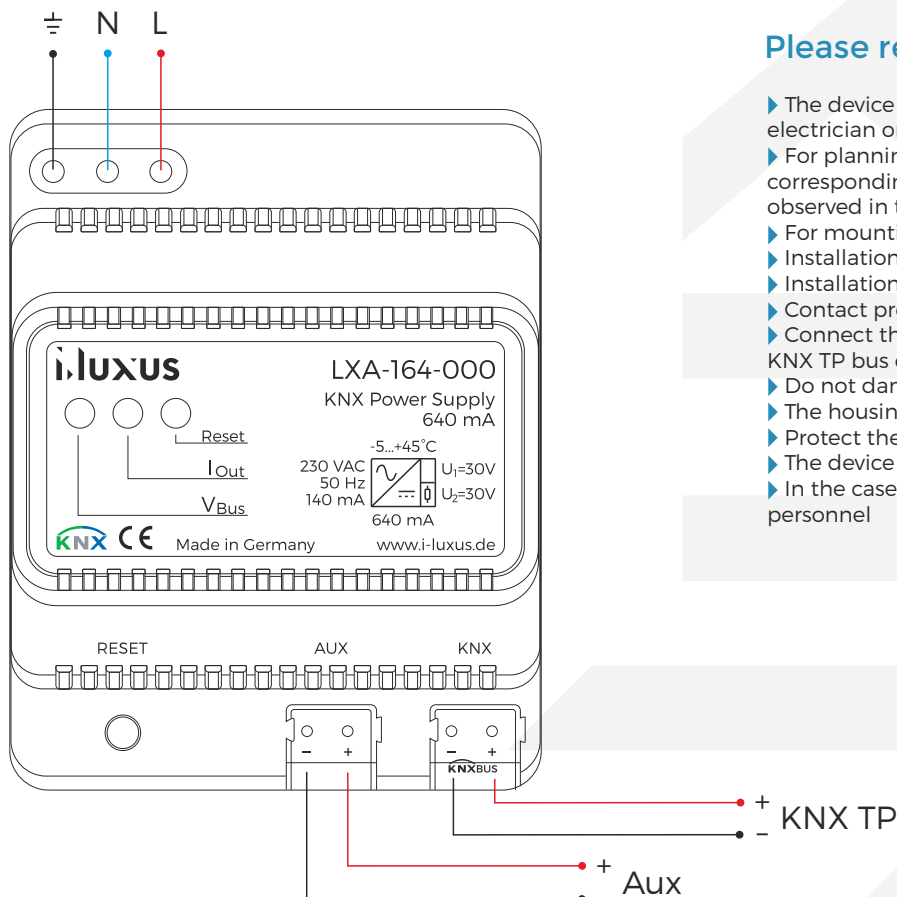


The I-Luxus power supply generates a voltage of DC 30V and additional auxiliary power output. The integrated choke decouples the KNX bus line from the DC 30V auxiliary output. Both outputs are overload and short circuit protected. Any desired load distribution on the outputs is possible till maximum 640 mA. LED status indicates device status and overload. Resetting by push button is available.

## PRODUCT CHARACTERISTICS

- ▶ 640 mA output current
- ▶ Operating AC 150V - 275V @50-60 Hz
- ▶ 2 Power Outputs:
  - Output 1: Integrated KNX Choke (DC 30V, SELV)
  - Output 2: External Auxiliary Supply Output (30V, SELV)
- ▶ Short Circuit Protection for both outputs
- ▶ Overload Protection for both outputs
- ▶ 3 LED Indicators:
  - Left LED (Green): Power
  - Middle LED (Red): Overload or Short Circuit (I<sub>out</sub> > 900 mA, LED is ON; Otherwise, LED is OFF)
  - Right LED (Red): Reset

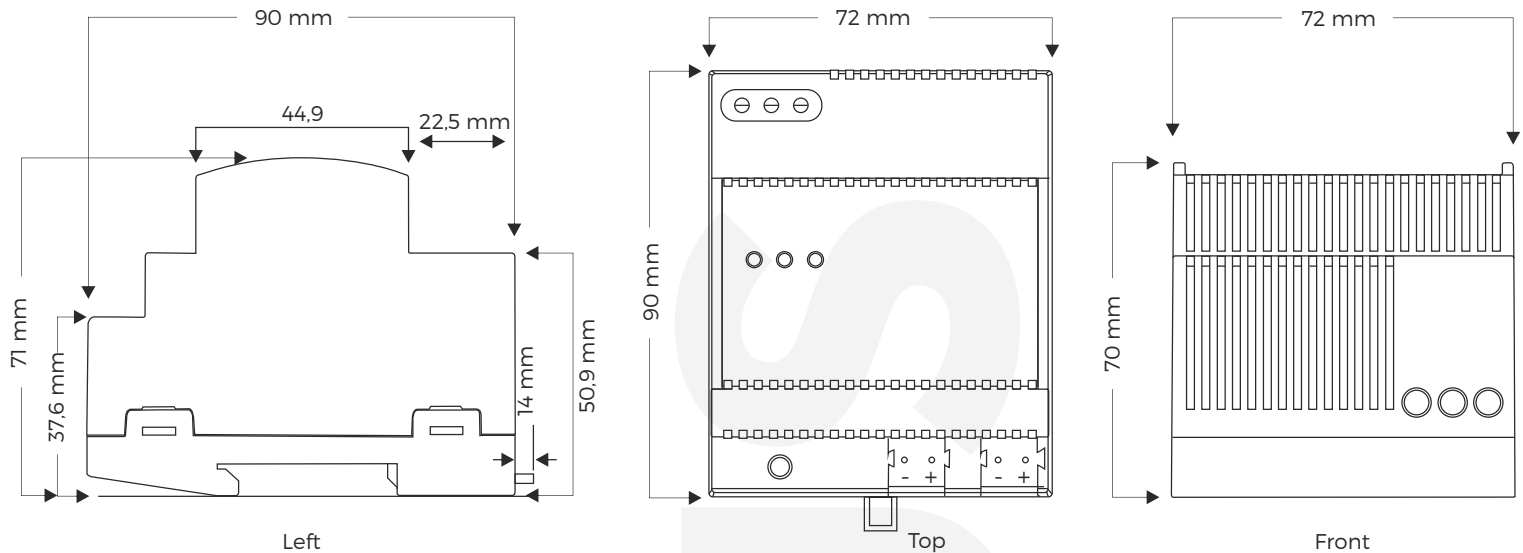
## CONNECTION



## Please read carefully before first use:

- ▶ The device may only be installed and put into operation by a qualified electrician or authorized personnel
- ▶ For planning and construction of electric installations the corresponding specifications, guidelines and regulations that must be observed in the respective country
- ▶ For mounting use an appropriate equipment according to IEC60715
- ▶ Installation only in distribution boards and enclosed housings
- ▶ Installation only on a 35 mm DIN rail (Th35)
- ▶ Contact protection must be provided through the control cabinet
- ▶ Connect the KNX bus line as for common KNX bus connections with a KNX TP bus cable, to be stripped and plugged into a KNX TP connector
- ▶ Do not damage electrical insulations when connecting
- ▶ The housing must not be opened
- ▶ Protect the device from moisture, dirt and damage
- ▶ The device needs no maintenance
- ▶ In the case of damage no repairs may be carried out by unauthorized personnel

## SCALE DRAWINGS



## TECHNICAL DATA

Type of protection	IP 20	EN 60529
Safety class	II	EN 60664
Power Supply	Mains Voltage	AC 230V ±15 % @ 50 Hz
	Leakage Loss (Open Circuit)	1,2 W
	Leakage Loss (Normal)	3,4 W
	Power Consumption (Normal)	23 W
	Power Consumption (Max. Overload)	42 W
Power Output	KNX Output Voltage	28 ... 31 VDC (SELV)
	AUX Output Voltage	28 ... 31 VDC (SELV)
	Rated Current	640 mA
	Maximum Current (Total Output)	1,2 A
	Mains failure bridging time	> 100 ms
	Efficiency at nominal load	81 %
With in Space Unit Connections	4 Modules (1 Module = 18 mm)	
	Screw Terminals	0,3 - 2,5 mm <sup>2</sup>
	Max. Torque	0,4 Nm
	KNX Connection Bus Terminal	0,8 mm <sup>2</sup> Ø, solid core
Installation	35mm DIN Rail	
Operating Element	Reset Button	Reset at the EIB/KNX Output
	Left LED (Green)	Output Voltage is OK
	Middle LED (Red)	Overload or Short Circuit
	Right LED (Red)	Reset
Temperature Range	Operation	(-5°C ... +45°C)
	Storage	(-20°C ... +70°C)
Humidity	Maximum air humidity	5% ... 93% (non condensation)
Flammability	Non-flammable product	
Dimensions	L:70 W:70 H:90 mm	
Weight	206 gr	
Standarts	EN50491-5-1/-2/-3, EN50581	
	EN61000-6-2/-3	
	EN61558-1/-2-6	
Certification	KNX Certified	